

SUPREME

TEST EQUIPMENT BULLETIN



Our 24th Year

Greenwood, Mississippi, U. S. A.

Nov. - Dec. 1951

TESTER TIPS

NORMAL "SHORTS"

The numbers in brackets indicate tube elements which normally will show short as they are interconnected within the tube. For example the type 6AG5 tube has (27) following its listing indicating that it is normal for number 2 and number 7 to show shorted.

In all type tubes having filaments, it is normal for the lamp to glow on one of the numbers listed in the last column of the roll chart as this indicates filament continuity. This number is not listed in brackets unless there is another pin connected to it within the tube. Therefore, on the type 6AG5, number 4 will also show shorted if the filament of the tube being tested is good.

CARBON-TET

If the neon lamp on your model 589 or 599 should glow when no tube is being tested, it may be caused by foreign matter getting into one of the slide switches, or the 'quality-leakage' switch, causing it to become shorted. In some localities, it may be necessary to clean these switches occasionally with carbon-tetrachloride by pouring a little into the side of the switches and working them up and down a few times.

THAT EXTRA LEAD

The lead extending from the no. 9544X adapter was added to provide a means for connecting to pin no. 9 of a 9 pin tube. The tip of this lead was designed to plug into one of the pins of the loctal socket. This lead should be used whenever the symbol (a4X-) follows the tube listing. The number immediately following the X in the symbol is the pin number of the loctal socket which the lead should be plugged into. For example, on the type 6U8 tube the symbol (a4X1) follows the listing and the lead should be plugged into pin number 1 of the loctal socket when testing this tube.

IS YOUR TUBE TESTER OBSOLETE?

Due to the tremendous number of new tubes which have been released in the past few years by tube manufacturers to meet the needs of an ever expanding electronic field, many tube tester owners find that their tester will handle only a small percentage of the tubes now in current use.

Many of these testers are still in good operating condition and are perfectly satisfactory for testing tubes which were in current use several years ago, but to attempt to bring them up to date would be more expensive than purchasing a new tester. This is particularly true of testers which were manufactured over ten years ago. However, age alone is not all that should be considered in determining when a tube tester is obsolete.

A tube tester is considered to be obsolete when most of them have been replaced in the field by more modern testers and it is no longer economical or practical to repair or modify them. As long as there are a large quantity in use by our customers, we can obtain replacement parts and get up engineering data on new types of tubes and distribute this data at economical prices.

Cost of Data

For example let us suppose that it costs Supreme approximately \$1000.00 to prepare a new edition of a roll chart for a tube tester, which includes the cost of engineering, printing and preparation for mailing. If this cost is distributed over 1000 users, we can send these charts out for approximately \$1.00 plus handling cost which is a reasonable figure. However, if we had to distribute these charts among only 200 users, the cost of the chart for Supreme to break even would be over \$5.00 each. When the cost of parts reaches a figure

TV ANTENNA GUIDE

A good reference book on antennas of all types (including Rhombics) is 'Television and FM Antenna Guide' by Edward M. Noll and Matthew Mandl, and is published by the Macmillan Co., 60 Fifth Ave., New York 11, N.Y. This book treats antennas in a practical way with the minimum amount of mathematics. It contains 308 pages of the most up-to-date information on antennas. Television and FM Antenna Guide will be of great value to all concerned with television antennas.

NEW SETTINGS FOR SUPREME TUBE TESTERS

The settings given below are for Models 589, 589-A, 599, 599-A, 504-A and 504-B.

1V2 (a4X1)	4 17 80 E 5
6AF4	3 6 23 C 245
6AF4	3 6 23 C 456
6BK7	4 6 58 B 35
6BK7	4 6 58 B 58
6CG6	3 6 27 C 47
6U8 (a4X1)	4 6 56 B 57
6U8	4 6 47 B 58
6X8 (a4X1)	4 6 56 B 256
6X8	4 6 35 C 567
7T7	1 6 56 B 78
19AQ5 (#)(17)	3 9 15 A 24
26CG6	3 9 27 C 47

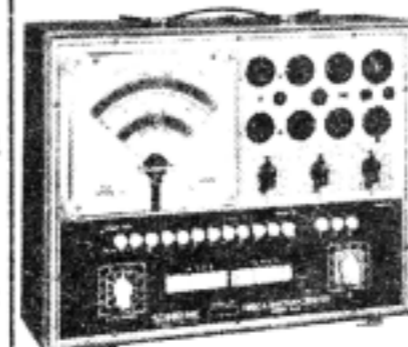
(a4X1) Connect lead on 9544X adapter to pin no. 1 of loctal socket.

REVISED SETTINGS

6SV7	7 6 35 C 358
6SV7 (dio)	7 6 85 B 238
19J6 (a52)	3 9 55 B 467
19J6	3 9 55 B 457

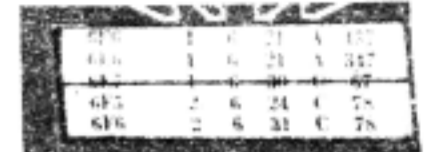
(a52) Use no. 3742 adapter plugged into no. 9545X adapter.

this far out of line, a tube tester is considered obsolete. Replacing this equipment with a modern, up-to-date tube tester such as the Supreme



Model 600 or 616 (illustrated) provides a most efficient and economical answer.

NEW EDITION OF ROLL CHART AVAILABLE FOR SUPREME TUBE TESTERS



Does the roll chart in your Supreme Tube Tester have No. 4965-518 or 9600-519 printed at the top of the chart? If not, we suggest that you order one of these new charts without delay.

No. 4965-518

FOR

MODELS { 504-A, 504-B, 589, 589-A, 599, 599-A.

The price of this chart is \$1.17, and it is available from your nearest Authorized SUPREME Service Station, or directly from the factory.

When ordering a chart, list the Model Number and Serial Number of your tester and enclose your remittance with your order to speed delivery and save C.O.D. charges.

NEW SETTINGS FOR 600 SERIES

The settings given below are for Models 600 and 616.

1V2	80 E 4 1 5
6AF4	23 C 3 7 245
6AF4	23 C 3 7 456
6BK7	58 B 4 7 35
6BK7	58 B 4 7 58
6CG6	27 C 3 7 47
6U8	56 B 4 7 57
6U8	47 B 4 7 58
6X8	56 B 4 7 256
6X8	35 C 4 7 567
7T7	56 B 1 7 78
19AQ5 (17)	15 A 3 10 24
26CG6	27 C 3 11 47

REVISED SETTINGS

1LD5	56 B 1 2 48
1LD5 (dio)	90 B 1 2 68
6SV7	35 C 7 7 358
6SV7 (dio)	85 B 7 7 238
12AU7 (45)	57 B 9 7 345
12AU7	57 B 9 7 458



"SUPREME BY COMPARISON"
in every respect

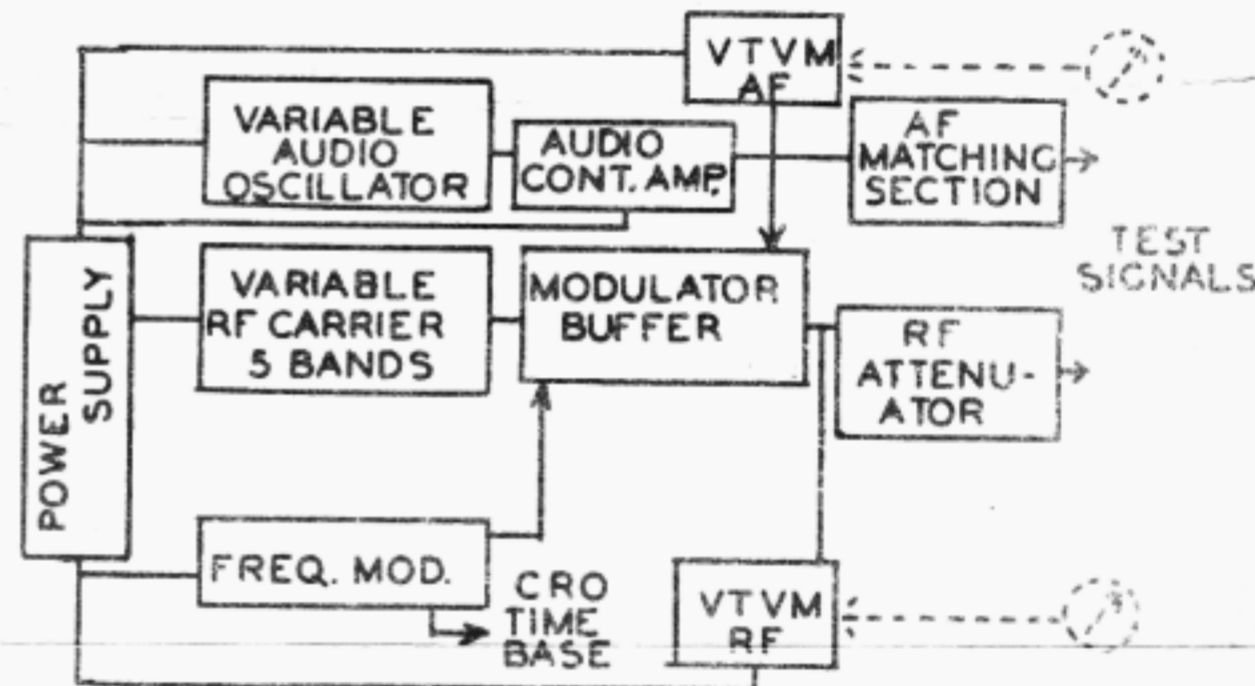
Select your carrier frequency (IF or RF). Select the signal strength. Select the tone you want on the speaker. Select the percent of modulation. You are strictly in the "driver's seat" and on the right road to profits with this versatile signal generator.

It's just like having a radio station right on your lab or service bench. Do not confuse this instrument with ordinary "AF & RF" oscillators. Use it as a separate variable audio generator and also as a variable RF (carrier modulated or unmodulated) generator. Outputs of AF & RF sections are metered.

SUPREME MODEL 666

A. F. OSCILLATOR for testing audio sections of AM, FM, and TV sets, PA systems, recorders, theatre sound, and other audio equipments. Ideal for locating causes of distortion in amplifiers and rattles in speakers at any audio frequency such as those produced by a drum beat in the low bass on up to a high pitched flute (15 cycles to 15,000 cycles). High fidelity multi-tapped transformer for matching generator output to popular input impedances. Output can be switched into RF section for choice of modulation tone at any audio frequency—not just 400 cycles. Metered output for reference level indication in checking response of AF Amplifiers.

R. F. OSCILLATOR for alignment of AM and FM sets with output meter or VTVM. Can also be used as TV marker. Frequency range from 65 Kc to 120 Mc (20.5 to 120 Mc on harmonics). High ratio tuning gear for smooth accurate frequency selection. Separate carrier level control for setting RF signal before attenuation. Efficient attenuator system for critical alignment jobs. Has built-in sweep oscillator for visual CRO alignment of AM receivers. Meter indicates carrier level and percent modulation. Shipped complete with cabinet, instructions, cables, connectors, and full one year guarantee backed directly by the factory. Wgt 35 lb-15 1/4".
YOUR COST ONLY \$141.60.



SPECIAL OFFER! LIBERAL TRADE IN ALLOWANCE TOWARDS THE PURCHASE OF A SUPREME MODEL 666. RUSH YOUR ORDER DIRECT TO THE FACTORY. SEND ONLY \$79.60 and ship one of your discarded testers. Supreme will allow you a credit of \$62.00 on your old tester, regardless of age, brand or model, and ship you IMMEDIATELY a Model 666 for only \$79.60 cash. This special offer limited to first 150 orders received.

' SUPREME BY COMPARISON '

SUPREME
INCORPORATED
GREENWOOD, MISSISSIPPI
U. S. A.

REBER DRUG CO
BLUO RAPIDS KAN

Sec. 34.66, P. L. & R.
U. S. POSTAGE
Paid
Greenwood, Miss.
Permit No. 81



Publication Digitized and Provided By

www.StevenJohnson.com

Vintage Schematics, and Publications

Steve's Antique Technology